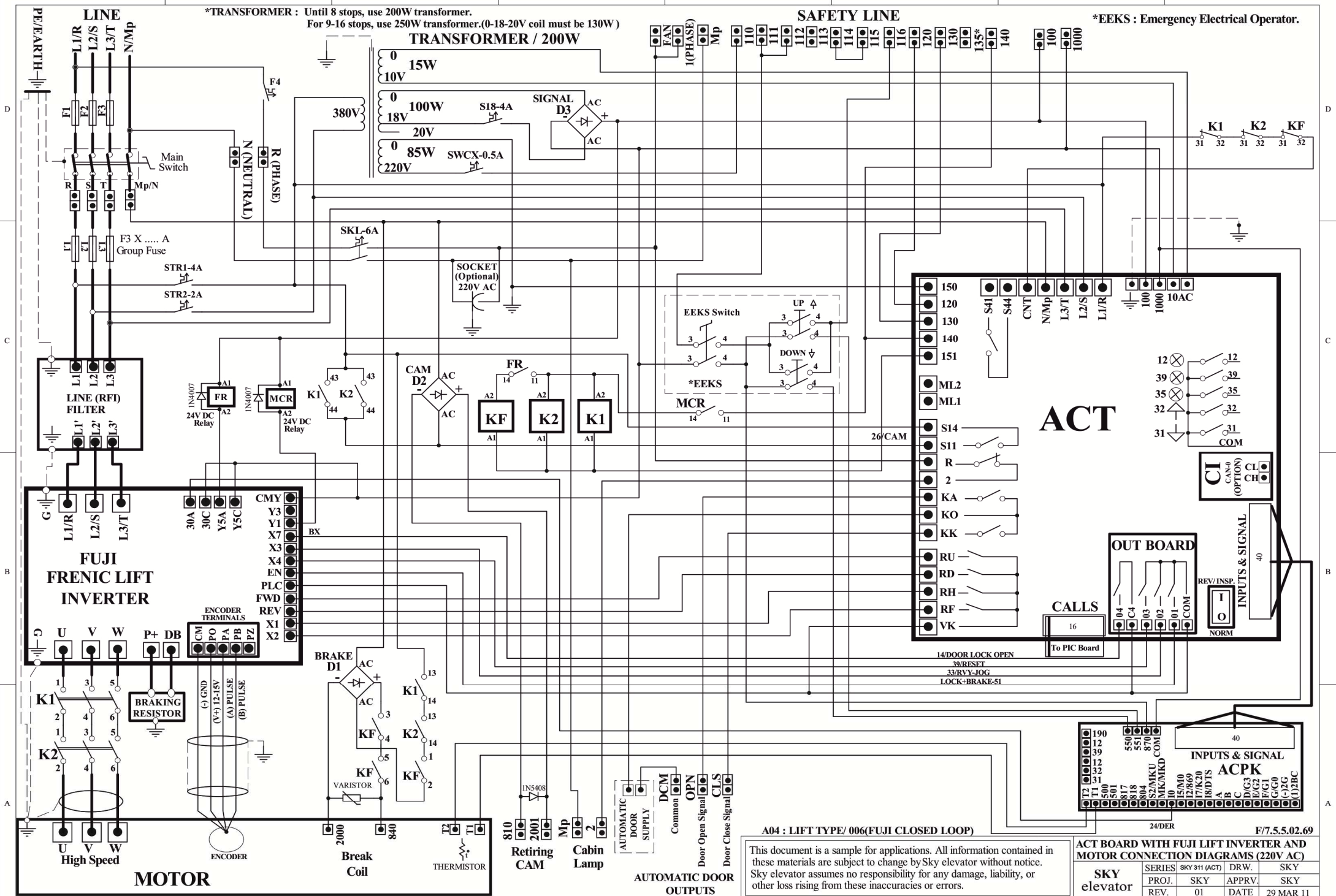


*TRANSFORMER : Until 8 stops, use 200W transformer.
For 9-16 stops, use 250W transformer.(0-18-20V coil must be 130V)

SAFETY LINE

*EKS : Emergency Electrical Operator.



A04 : LIFT TYPE/ 006(FUJI CLOSED LOOP)

This document is a sample for applications. All information contained in these materials are subject to change by Sky elevator without notice. Sky elevator assumes no responsibility for any damage, liability, or other loss arising from these inaccuracies or errors.

ACT BOARD WITH FUJI LIFT INVERTER AND MOTOR CONNECTION DIAGRAMS (220V AC)

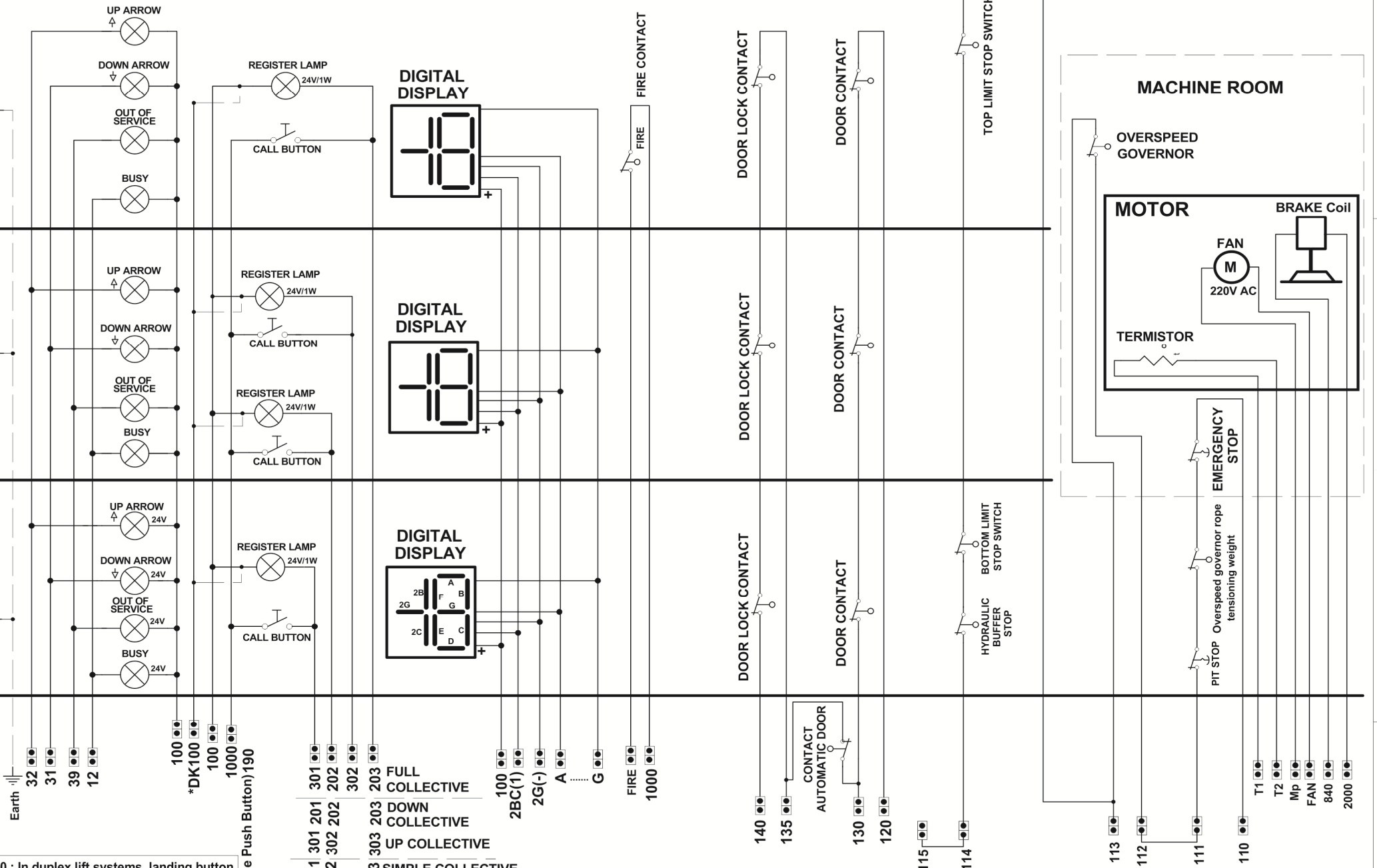
SKY elevator		SERIES	SKY 311 (ACT)	DRW.	SKY
PROJ.	SKY	APPRV.	SKY	DATE	29 MAR 11
REV.	01				

F/7.5.5.02.69

FLOOR 2

FLOOR 1

BOTTOM FLOOR



*DK100 : In duplex lift systems, landing button register lamps common end is connected to DK100 terminal.
See ACT group connection diagram.

LIFT CONTROLLER

- 401 301 201 FULL COLLECTIVE
- 402 302 202 DOWN COLLECTIVE
- 403 303 203 UP COLLECTIVE
- 403 303 203 SIMPLE COLLECTIVE
- 403 303 203 SIMPLE PUSH BUTTON

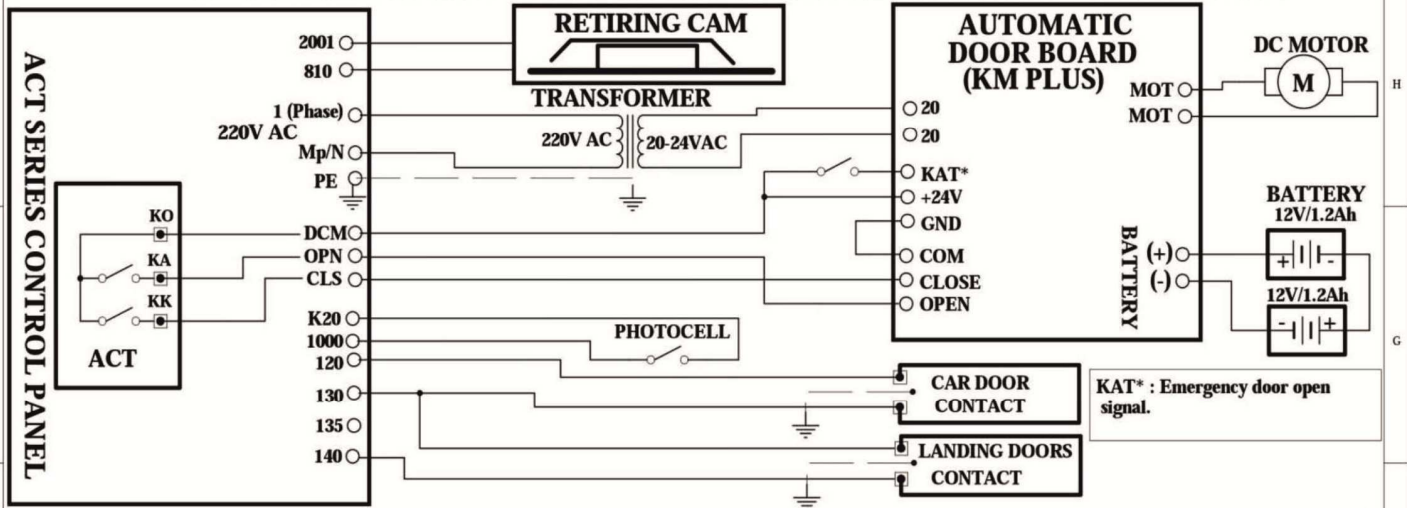
This document is a sample for applications. All information contained in these materials are subject to change by Sky elevator without notice. Sky elevator assumes no responsibility for any damage, liability, or other loss rising from these inaccuracies or errors.

FLOOR CONNECTIONS

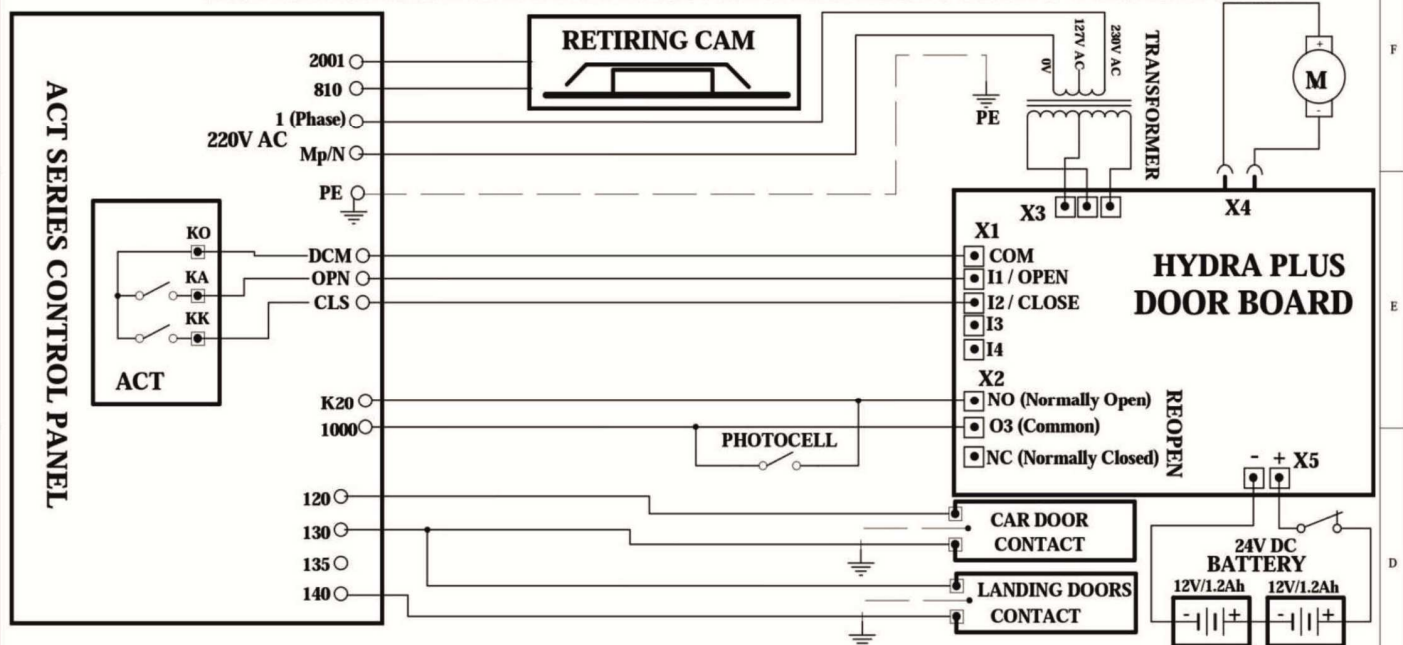
Sky elevator	SERIES	sky 311 (act)	DRW.	Sky
	PROJ.	ACT002	APPRV	Sky
	REV.	02	DATE	19 JAN 13

F/7.5.02.69

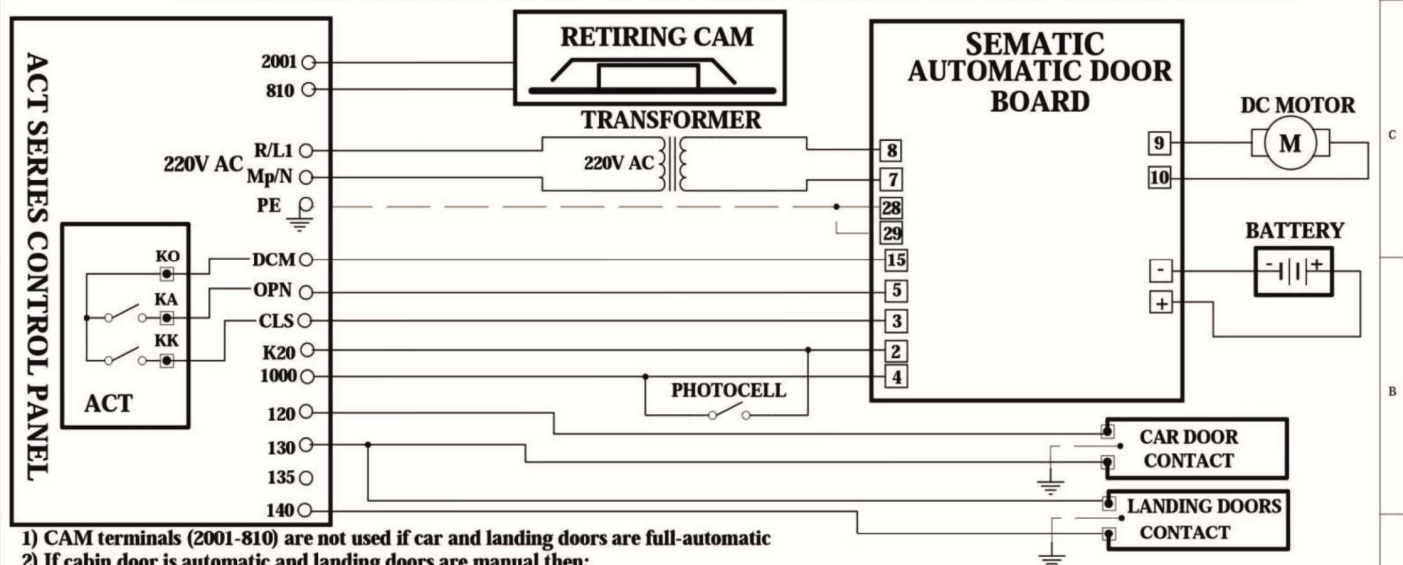
MERIH AND TROMP DOOR CONNECTION DIAGRAM FOR ACT CONTROL PANEL



WITTUR HYDRA PLUS DOOR CONNECTION DIAGRAM FOR ACT CONTROL PANEL



SEMATIC AUTOMATIC DOOR CONNECTION DIAGRAM FOR ACT CONTROL PANEL



- 1) CAM terminals (2001-810) are not used if car and landing doors are full-automatic
- 2) If cabin door is automatic and landing doors are manual then:
 Landing door contacts are serially connected to 120-130 terminals.
 Car door contacts are serially connected to Car door contact (130-135) terminals.
 Landing door lock contacts are serially connected to Car door contact (135-140) terminals.

F/7.5.5.02.69

This document is a sample for applications. All information contained in these materials are subject to change by Sky elevator without notice. Sky elevator assumes no responsibility for any damage, liability, or other loss rising from these inaccuracies or errors.

MERIH AND TROM AND HYDRA PLUS CONNECTION			
Sky elevator	SERIES	SKY 311 (ACT)	DRW. SKY
	PROJ.	ACT029	APPRV. SKY
	REV.	03	DATE 12 JAN 13